

YANMAR COMPACT



EXCLUSIVELY MOSA

SINCE 1963

THE SPECIALIST IN QUALITY WITH SOLUTIONS THAT MAKE A DIFFERENCE



SINCE 1963.
GLOBAL REFERENCE FOR POWER
GENERATION & ENGINE DRIVEN
EQUIPMENT.

For over 50 years MOSA has addressed market demand by focusing on the performance and reliability of its products. Experience and commitment to innovation has positioned MOSA as a worldwide reference in the manufacture of products that meet client needs in terms of lighting towers, power generation and engine driven welding equipment. From this unique know-how technologies and products are designed and manufactured with strict quality principles that have underpinned the success of MOSA's solutions for the most demanding of end-users.

MOSA Energy

GENERATING SET

GE 8 YSXC

MOSA

YANMAR COMPACT



FEATURES

- Engine protection EP6
- Sockets : 1 x 230V 32A 2P+T CEE - 1 x 230V 16A 2P+T CEE
1 x 230V 16A 2P+T SCHUKO
- ELCB-GFI (Ground Fault Interruptor)
- Circuit breaker
- Emergency stop button
- Super Silenced
- Ready for connection to automatic transfer unit EAS
- Meets EC directives for noise and safety

A.C. GENERATION - 50 Hz

Single-phase synchronous alternator, self-excited, self-regulated, brushless

* Stand-by single-phase power	8 kVA (7.2 kW) / 230V / 34.8 A
* PRP single-phase power	7.5 kVA (6.7 kW) / 230V / 32.6 A
Cos φ	0.9
Insulation class	H

* Output powers according to ISO 8528-1

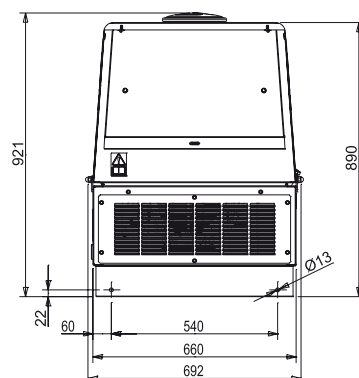
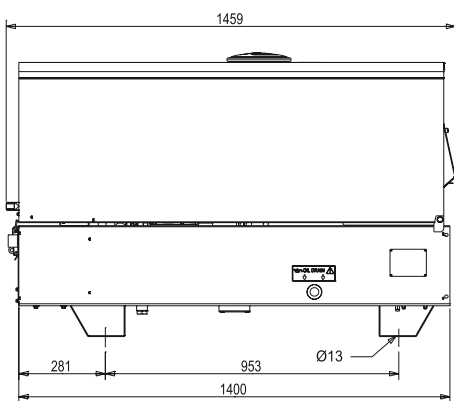
GENERAL SPECIFICATIONS

Tank capacity	30 l
Running time (75% of PRP)	16.5 h
IP protection degree	IP 23
* Dimensions LxHxh	1460 x 700 x 920 mm
* Dry weight	395 kg
** Measured acoustic power LwA (pressure LpA)	87 dB(A) (62 dB(A) @ 7m)
** Guaranteed acoustic power LwA (pressure LpA)	88 dB(A) (63 dB(A) @ 7m)

* Dimensions and weight without trolley/trailer. / **Acoustic power according to European Directive 2000/14/EC

OPTIONS ON REQUEST

Remote control **TCM35**
 Automatic transfer unit (AMF) **EAS 17-809**
 Locking Fuel Cap
 Earthing kit
 Site tow **CTL300**
 Road trailer **CTV4**



ENGINE - 4-stroke natural aspirated, indirect injection

Model	Fuel	Starter	Stand-By net power	PRP net power	Cylinders Displace.	Speed	Cooled
YANMAR 3TNV76	Diesel	Electric	9 kW (12.2 HP)	8.2 kW (11.1 HP)	3 / 1116 cm ³	1500 rpm	Water

GENERATING SET GE 10 YSXC

MOSA

YANMAR COMPACT



FEATURES

- Engine protection EP6
- Combined system voltage regulation: electronic **AVR + Compound**
- Sockets : 1 x 400V 16A 3P+N+T CEE - 2 x 230V 16A 2P+T CEE
 - 1 x 230V 16A 2P+T SCHUKO
- ELCB-GFI (Ground Fault Interruptor)
- Circuit breaker
- Emergency stop button
- Super Silenced
- Ready for connection to automatic transfer unit EAS
- Meets EC directives for noise and safety

A.C. GENERATION - 50 Hz

Three-phase synchronous alternator, self-excited, self-regulated, brushless

* Stand-by three-phase power	9.5 kVA (7.6 kW) / 400V / 13.7 A
* PRP three-phase power	9 kVA (7.2 kW) / 400V / 13 A
* PRP single-phase power	4.5 kVA / 230V / 19.5A
Cos φ	0.8
Insulation class	H

* Output powers according to ISO 8528-1

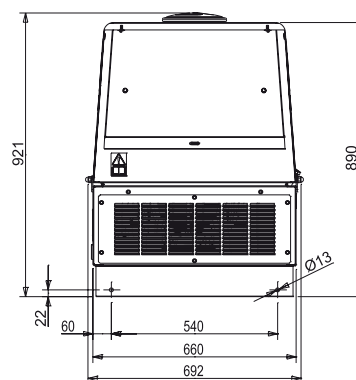
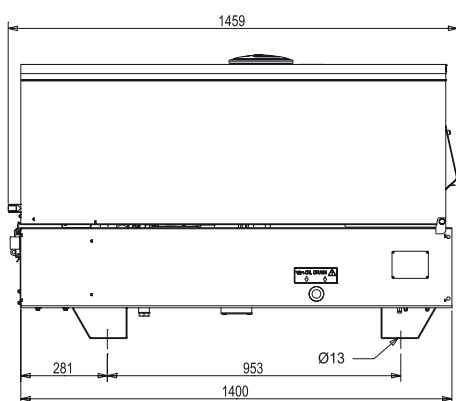
GENERAL SPECIFICATIONS

Tank capacity	30 l
Running time (75% of PRP)	16.5 h
IP protection degree	IP 23
* Dimensions LxH	1460 x 700 x 920 mm
* Dry weight	410 kg
** Measured acoustic power LwA (pressure LpA)	87 dB(A) (62 dB(A) @ 7m)
** Guaranteed acoustic power LwA (pressure LpA)	88 dB(A) (63 dB(A) @ 7m)

* Dimensions and weight without trolley/trailer. / **Acoustic power according to European Directive 2000/14/EC

OPTIONS ON REQUEST

Remote control **TCM35**
 Automatic transfer unit (AMF) **EAS 17-809**
 Locking Fuel Cap
 Earthing kit
 Site tow **CTL300**
 Road trailer **CTV4**



ENGINE - 4-stroke natural aspirated, indirect injection

Model	Fuel	Starter	Stand-By net power	PRP net power	Cylinders Displace.	Speed	Cooled
YANMAR 3TNV76	Diesel	Electric	9 kW (12.2 HP)	8.2 kW (11.1 HP)	3 / 1116 cm ³	1500 rpm	Water

GENERATING SET GE 15 YSXC

MOSA

YANMAR COMPACT



FEATURES

- Engine protection EP6
- Combined system voltage regulation: electronic **AVR + Compound**
- Sockets : 1 X 400V 32A 3P+N+T CEE - 1 X 400V 16A 3P+N+T CEE
1 X 230V 16A 2P+T CEE - 1 X 230V 16A 2P+T SCHUKO
- ELCB-GFI (Ground Fault Interruptor)
- Circuit breaker
- Emergency stop button
- Super Silenced
- Ready for connection to automatic transfer unit EAS
- Meets EC directives for noise and safety

A.C. GENERATION - 50 Hz

Three-phase synchronous alternator, self-excited, self-regulated, brushless

* Stand-by three-phase power	15 kVA (12 kW) / 400V / 21.6 A
* PRP three-phase power	14 kVA (11.2 kW) / 400V / 20.2 A
* PRP single-phase power	6.5 kVA / 230V / 28.3A
Cos φ	0.8
Insulation class	H

* Output powers according to ISO 8528-1

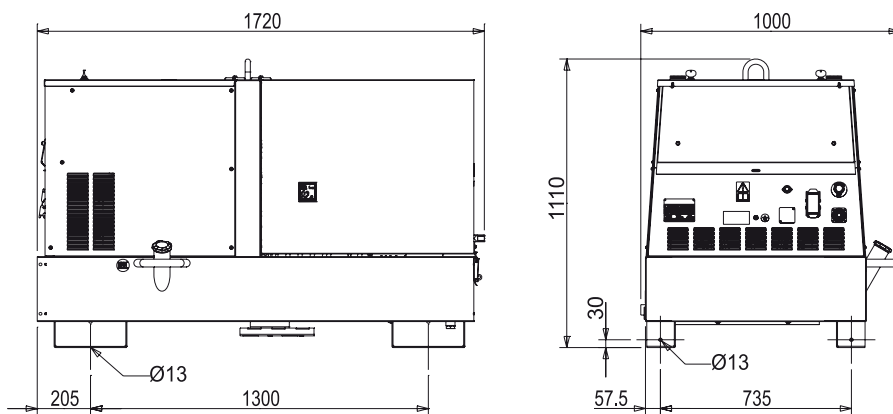
GENERAL SPECIFICATIONS

Tank capacity	60 l
Running time (75% of PRP)	23 h
IP protection degree	IP 23
* Dimensions LxHxh	1720 x 980 x 1110 mm
* Dry weight	565 kg
** Measured acoustic power LwA (pressure LpA)	91 dB(A) (66 dB(A) @ 7m)
** Guaranteed acoustic power LwA (pressure LpA)	92 dB(A) (67 dB(A) @ 7m)

* Dimensions and weight without trolley/trailer. / **Acoustic power according to European Directive 2000/14/EC

OPTIONS ON REQUEST

Remote control **TCM35**
Automatic transfer unit (AMF) **EAS 17-809**
Locking Fuel Cap
Earthing kit
Site tow **CTL22**
Road trailer **CTV1/O**
Road trailer **CTV1/S**



ENGINE - 4-stroke natural aspirated, direct injection

Model	Fuel	Starter	Stand-By net power	PRP net power	Cylinders Displace.	Speed	Cooled
YANMAR 3TNV88	Diesel	Electric	13.6 kW (18.5 HP)	12.3 kW (16.7 HP)	3 / 1642 cm ³	1500 rpm	Water

GENERATING SET GE 20 YSXC

MOSA

YANMAR COMPACT



FEATURES

- Engine protection EP6
- Combined system voltage regulation: electronic **AVR + Compound**
- Sockets : 1x400V 32A 3P+N+T CEE - 1x400V 16A 3P+N+T CEE
1x230V 16A 2P+T CEE - 1x230V 16A 2P+T SCHUKO
- ELCB-GFI (Ground Fault Interruptor)
- Circuit breaker
- Emergency stop button
- Super Silenced
- Ready for connection to automatic transfer unit EAS
- Meets EC directives for noise and safety

A.C. GENERATION - 50 Hz

Three-phase synchronous alternator, self-excited, self-regulated, brushless

* Stand-by three-phase power	20 kVA (16 kW) / 400V / 28.9 A
* PRP three-phase power	18 kVA (14.4 kW) / 400V / 26 A
* PRP single-phase power	7 kVA / 230V / 30.4A
Cos φ	0.8
Insulation class	H

* Output powers according to ISO 8528-1

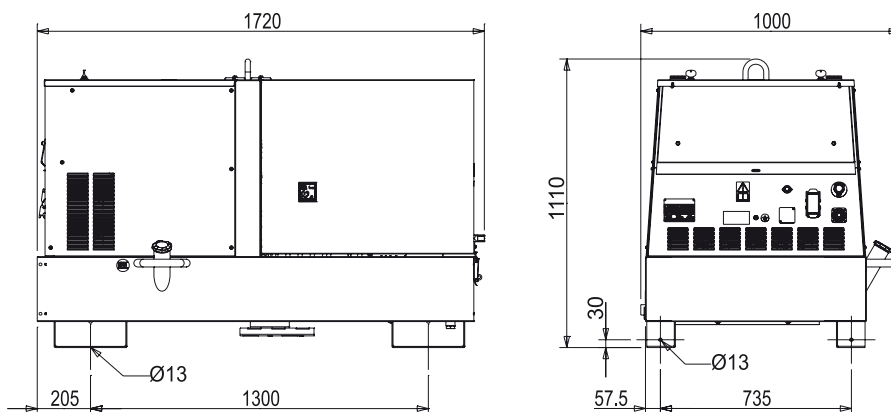
GENERAL SPECIFICATIONS

Tank capacity	60 l
Running time (75% of PRP)	17.5 h
IP protection degree	IP 23
* Dimensions LxHxh	1720 x 980 x 1110 mm
* Dry weight	610 kg
** Measured acoustic power LwA (pressure LpA)	93 dB(A) (68 dB(A) @ 7m)
** Guaranteed acoustic power LwA (pressure LpA)	94 dB(A) (69 dB(A) @ 7m)

* Dimensions and weight without trolley/trailer. / **Acoustic power according to European Directive 2000/14/EC

OPTIONS ON REQUEST

Remote control **TCM35**
Automatic transfer unit (AMF) **EAS 28-809**
Locking Fuel Cap
Earthing kit
Site tow **CTL22**
Road trailer **CTV1/O**
Road trailer **CTV1/S**



ENGINE - 4-stroke natural aspirated, direct injection

Model	Fuel	Starter	Stand-By net power	PRP net power	Cylinders Displace.	Speed	Cooled
YANMAR 4TNV88	Diesel	Electric	18 kW [24.5 HP]	16.4 kW [22.3 HP]	4 / 2190 cm ³	1500 rpm	Water

THE SERVICES



SPARE PARTS

A complete range of original spare parts, guaranteed directly by the manufacturer.



ASSISTANCE

A team of specialists, well prepared and available to assure an efficient and resolving service.



WARRANTY

A precise certainty for the customer's satisfaction: 2-year warranty included in the price.



LUBRICANTS

We recommends to use the original PowerLube lubricants.



M A D E I N I T A L Y



MOSA

Viale Europa, 59 - 20090 Cusago (MI) - Italy
Tel. +39 02 903521 Fax +39 02 90390466 - export@mosa.it

www.mosa.it